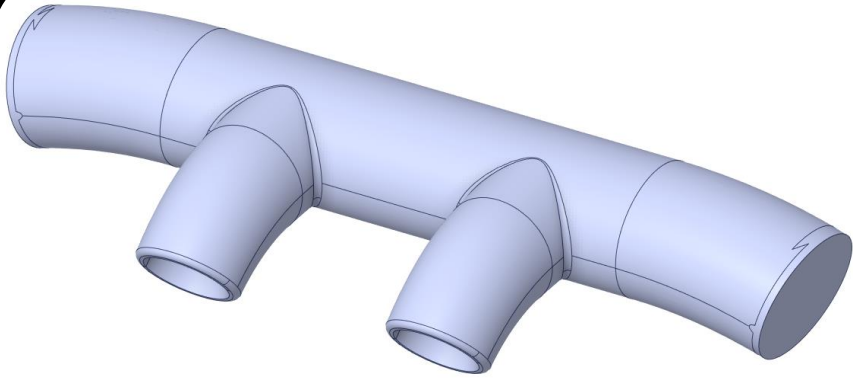
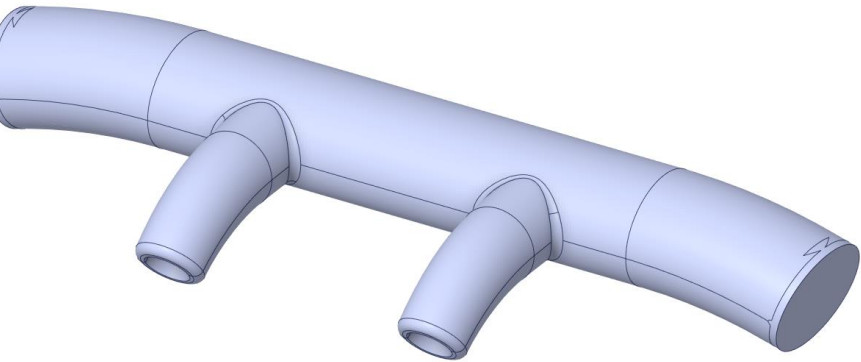


Go with the... Velocity?

Question



High Flow

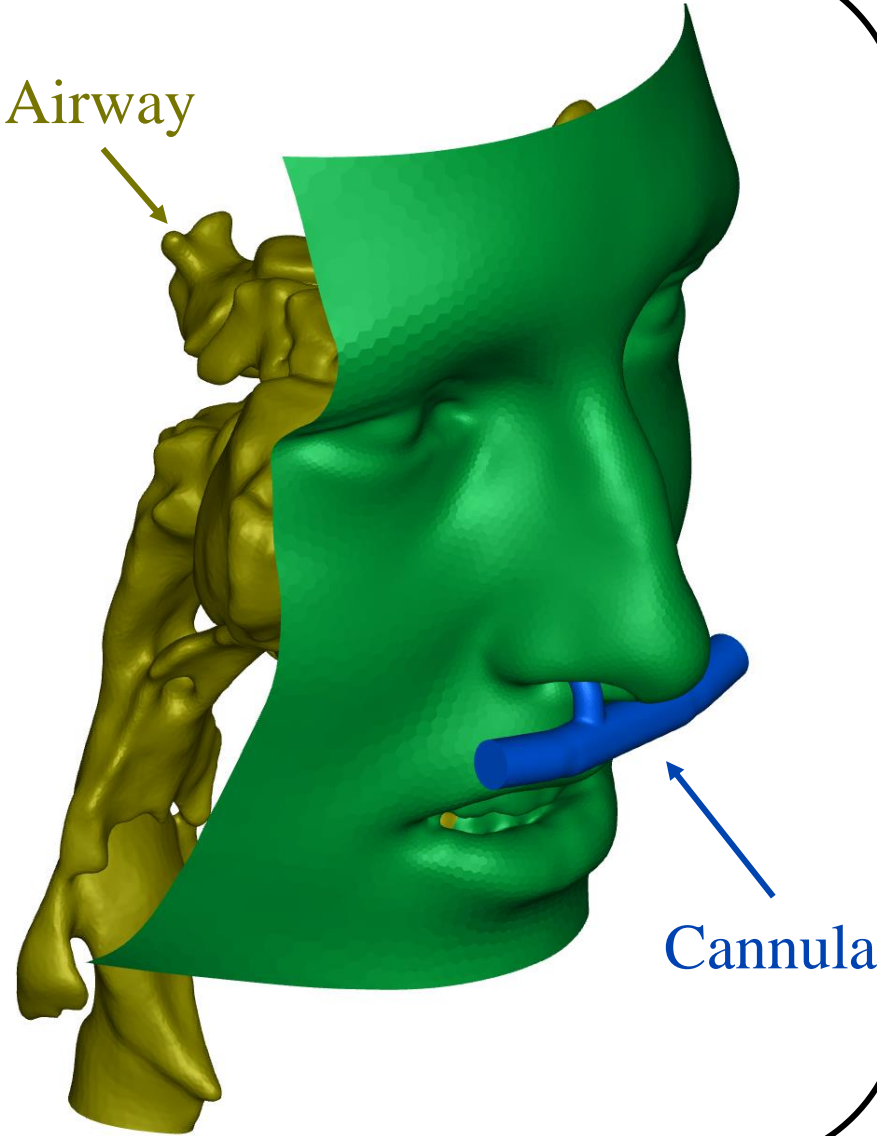


High Velocity

Which is better
and *Why*

Computational Model

Airway



Cannula

↓ CO₂

+

↑ Recovery
Rate